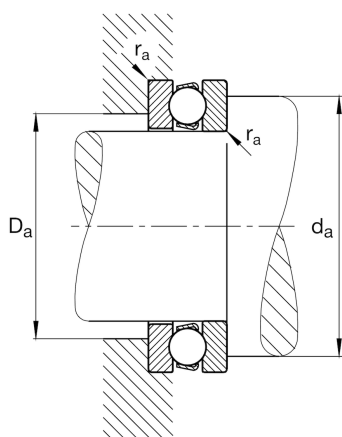
**FAG****51103**

Axial deep groove ball bearing

Schaeffler ID:  
0167146520000Axial deep groove ball bearing 511, single  
direction, steel sheet metal cage

## Technical information

**Main Dimensions & Performance Data**

d	17 mm	Bore diameter
D	30 mm	Outside diameter
T	9 mm	Height
$C_a$	11,300 N	Basic dynamic load rating, axial
$C_{0a}$	19,600 N	Basic static load rating, axial
$C_{ua}$	900 N	Fatigue load limit, axial
$n_G$	12,900 1/min	Limiting speed
$n_{gr}$	12,500 1/min	Reference speed
	0.027 kg	Weight

**Dimensions**

$r_{min}$	0.3 mm	Minimum chamfer dimension
$D_1$	18 mm	Bore diameter housing washer
$d_1$	30 mm	Lip diameter shaft washer

**Mounting dimensions**

$d_{a min}$	25 mm	Minimum diameter shaft shoulder
$D_{a max}$	22 mm	Maximum diameter of housing shoulder
$r_{a max}$	0.3 mm	Maximum recess radius

**Additional information**

A	0.002	Minimum load factor
---	-------	---------------------

**Temperature range**

$T_{min}$	-30 °C	Operating temperature min.
$T_{max}$	150 °C	Operating temperature max.